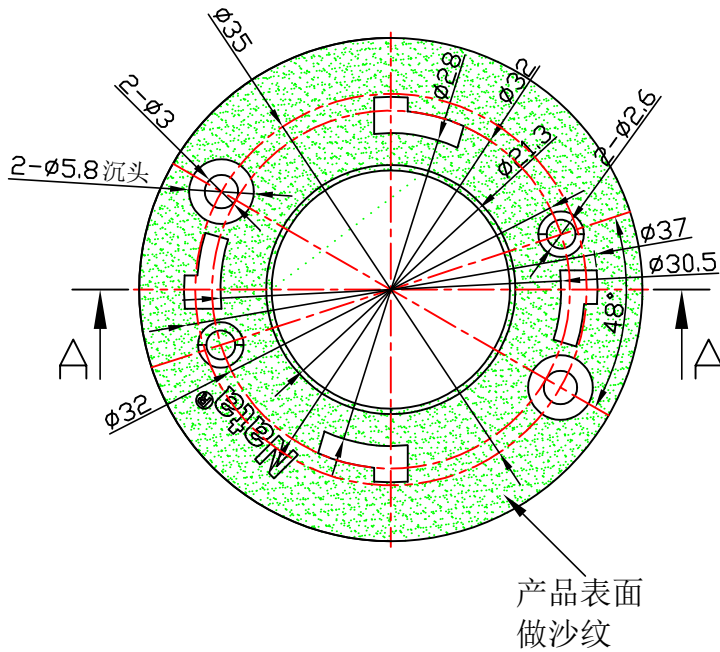
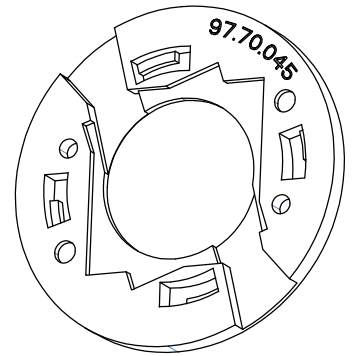
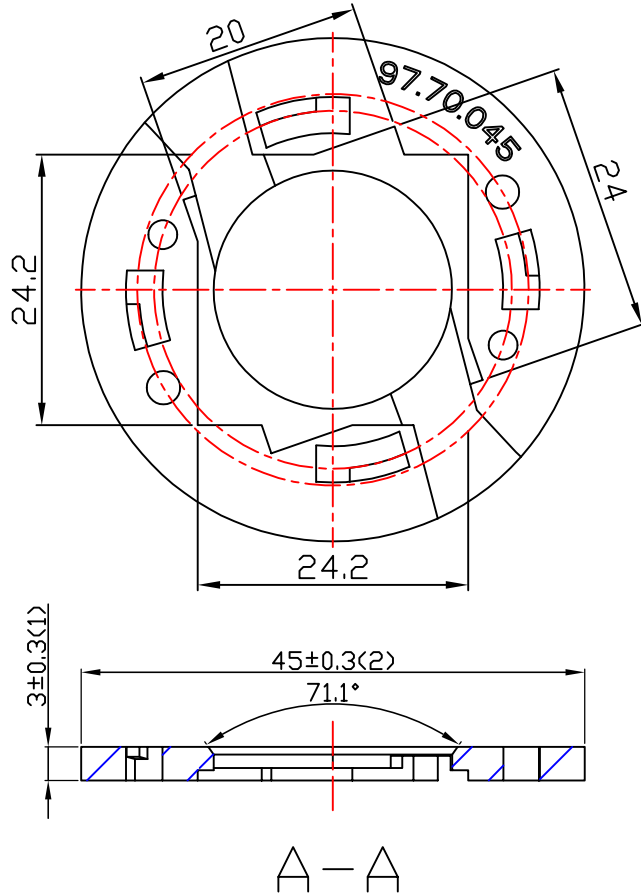


table for unmentioned tolerance in the drawing
(unit: mm)

0-5	5-30	30-120	120-250	250-400	400-700
±0.15	±0.2	±0.5	±0.8	±1.5	±2



Mark	Amended Times	Amended Content			Signature	Amended Date
Controll Version	A3	Design Version	K0	Client Version		
Designer		Drawing by		Proportion	1:1	
Technology		Auditor		View		
Approval		Date	2017.06.01	Page	Total Page	

Material:PC

Nata[®]
NATA Lighting Co.,Ltd

Customer Item	
Customer Code	NT
Product Number	92.70.045.00
Product Name	CXA2520 支架 D45xH3.6